



Gilford™
Apron-front Kitchen Sink
K-12700

Features

- 30-inch apron sink minimum base cabinet width.
- Vitreous china.
- Wall-mount or top-mount installation.
- Single bowl.
- Two faucet holes on 8 (203 mm) centers.
- Integral apron and backsplash.
- 30" (762 mm) x 22" (559 mm) x 8-5/8" (219 mm)

Recommended Accessories

- K- 1814-P Wall Mount Sink Brackets
- K- 9000 P-Trap
- 63002 Bracket, Tie Bar

Optional Accessories

- K- 6002 Sink Rack
- K- 8801 Sink Strainer



Codes/Standards





ASME A112.19.2/CSA B45.1

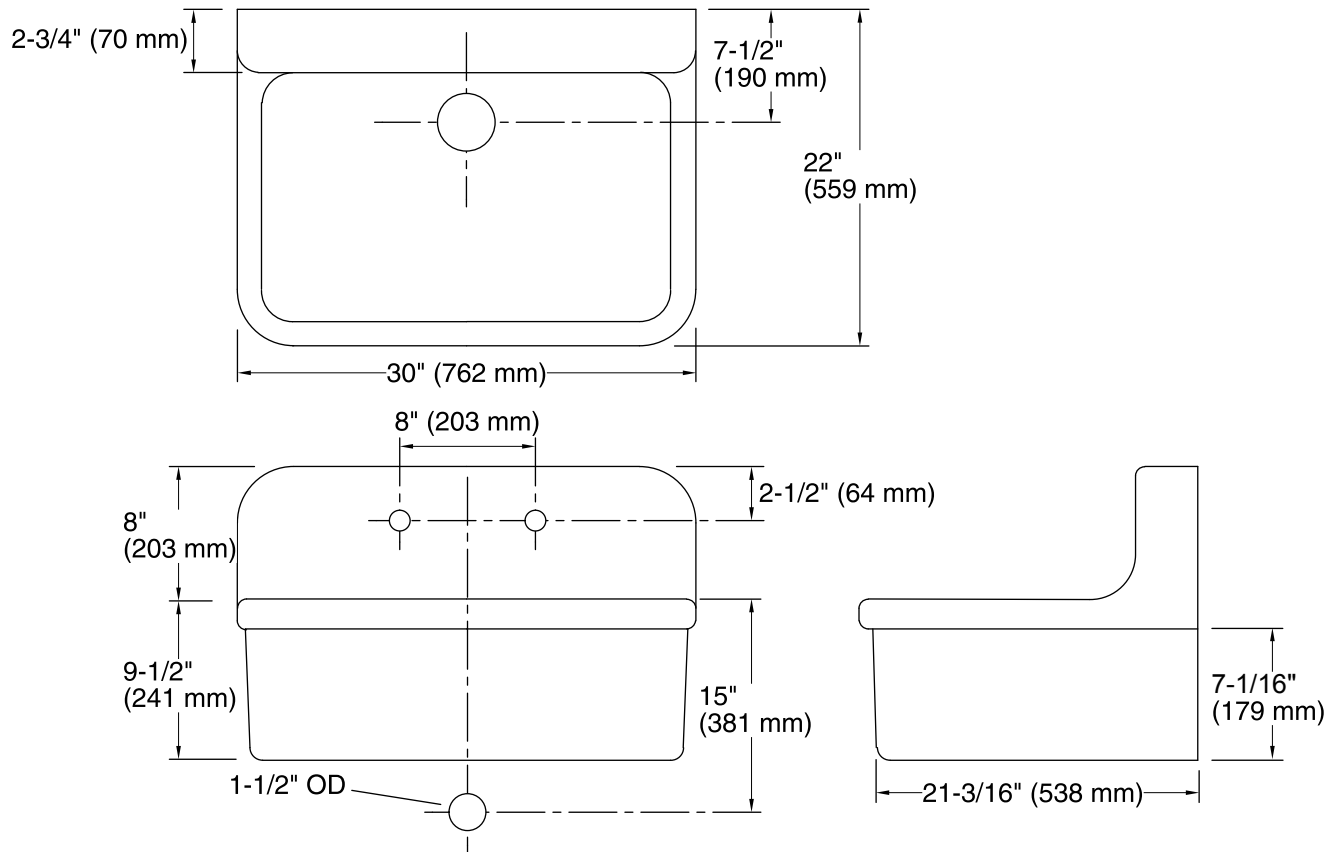
KOHLER® One-Year Limited Warranty

See website for detailed warranty information.

Available Color/Finishes

Color tiles intended for reference only.

| Color | Code | Description |
|--|------|--------------|
|  | 0 | White |
|  | 96 | Biscuit |
|  | 47 | Almond |
|  | 7 | Black Black™ |



Technical Information

All product dimensions are nominal.

| | |
|-----------------------|--|
| Bowl configuration: | Single |
| Installation: | Wall-mount, Top-mount |
| Bowl area | Length: 28" (711 mm) Width: 18" (457 mm) Bowl depth: 8-5/8" (219 mm) |
| Number of deck holes: | 2 |
| Faucet hole(s): | 1-3/8" (35 mm) |
| Drain hole: | 3-5/8" (92 mm) |

Notes

Install this product according to the installation guide.