

KOHLER®

Undertone®
Under-mount Sink
K-3335

Features

- 24-inch minimum base cabinet width.
- 18-gauge stainless steel.
- Under-mount.
- Single bowl.
- Rounded bowl.
- With SilentShield® sound-absorption technology.
- 19-5/8" (499 mm) x 19-5/8" (499 mm)

Optional Accessories

K- 3191 Sink Rack
K- 8801 Sink Strainer
K-8813
K-8814

Components

Product includes:
91915 Hardware Kit

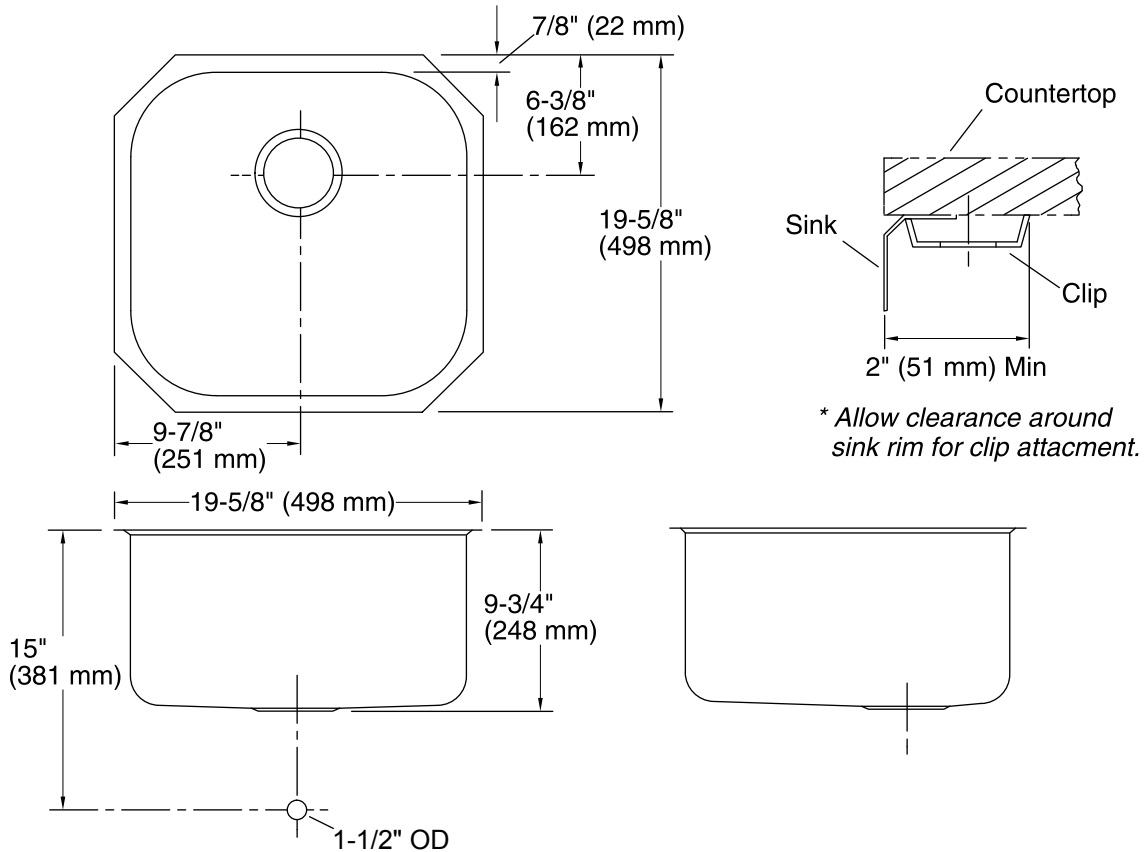


Codes/Standards

ASME A112.19.3/CSA B45.4

Lifetime Limited Warranty for KOHLER® Stainless Steel Sinks

See website for detailed warranty information.



Technical Information

All product dimensions are nominal.

Bowl configuration:	Single
Installation:	Under-mount
Bowl area (Only)	Length: 17-7/8" (454 mm) Width: 17-7/8" (454 mm) Bowl depth: 9-1/2" (241 mm)
Drain hole:	3-5/8" (92 mm)
Template:	Under-mount, 113196-7, required, included

Notes

Install this product according to the installation guide.

Allow a minimum of 2" (51 mm) clearance around the sink rim for clip attachment.