



**Man's Lav™**  
KOHLER® enameled cast iron.  
**K-2885-8**

**Features**

- KOHLER® cast iron.
- Drop-in.
- Generously-sized rectangular basin.
- With overflow.
- 8-inch centers.
- 28" (711 mm) x 19" (483 mm)

**Recommended Accessories**

K- 8998 P-Trap



ADA

**Codes/Standards**

ASME A112.19.1/CSA B45.2  
ADA  
ICC/ANSI A117.1




**KOHLER® Lifetime Limited Warranty  
for Cast Iron Components**

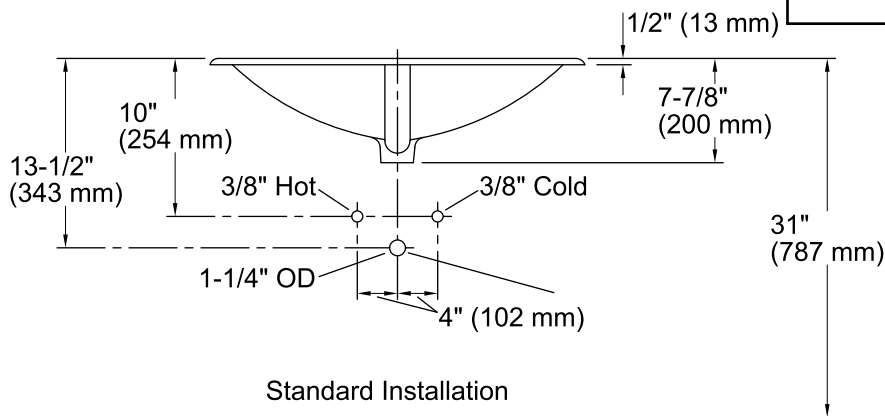
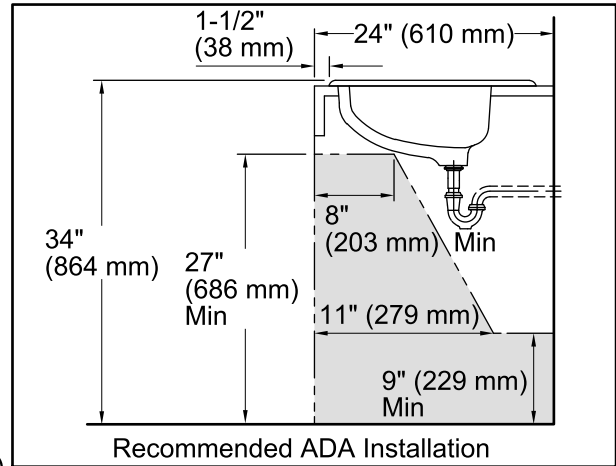
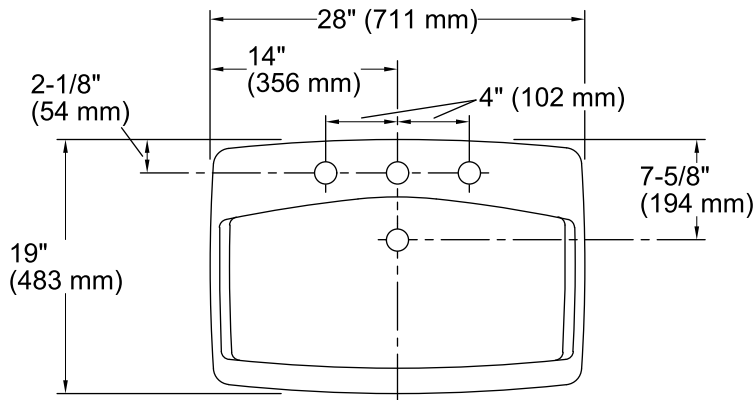
See website for detailed warranty information.

**Available Color/Finishes**

*Color tiles intended for reference only.*

**Color Code Description**

	0	White
	96	Biscuit
	47	Almond



## Technical Information

All product dimensions are nominal.

- Bowl configuration: Single
- Installation: Drop-In
- Bowl area (Only)
  - Length: 24" (610 mm)
  - Width: 13" (330 mm)
  - Water depth: 4-1/4" (108 mm)
- Number of deck holes: 3
- Faucet hole(s): 1-3/8" (35 mm)
- Drain hole: 1-3/4" (44 mm)
- Template: Drop-in, 101090-7, required, included

## Notes

Install this product according to the installation guide.

ADA compliant when installed to the specific requirements of these regulations.